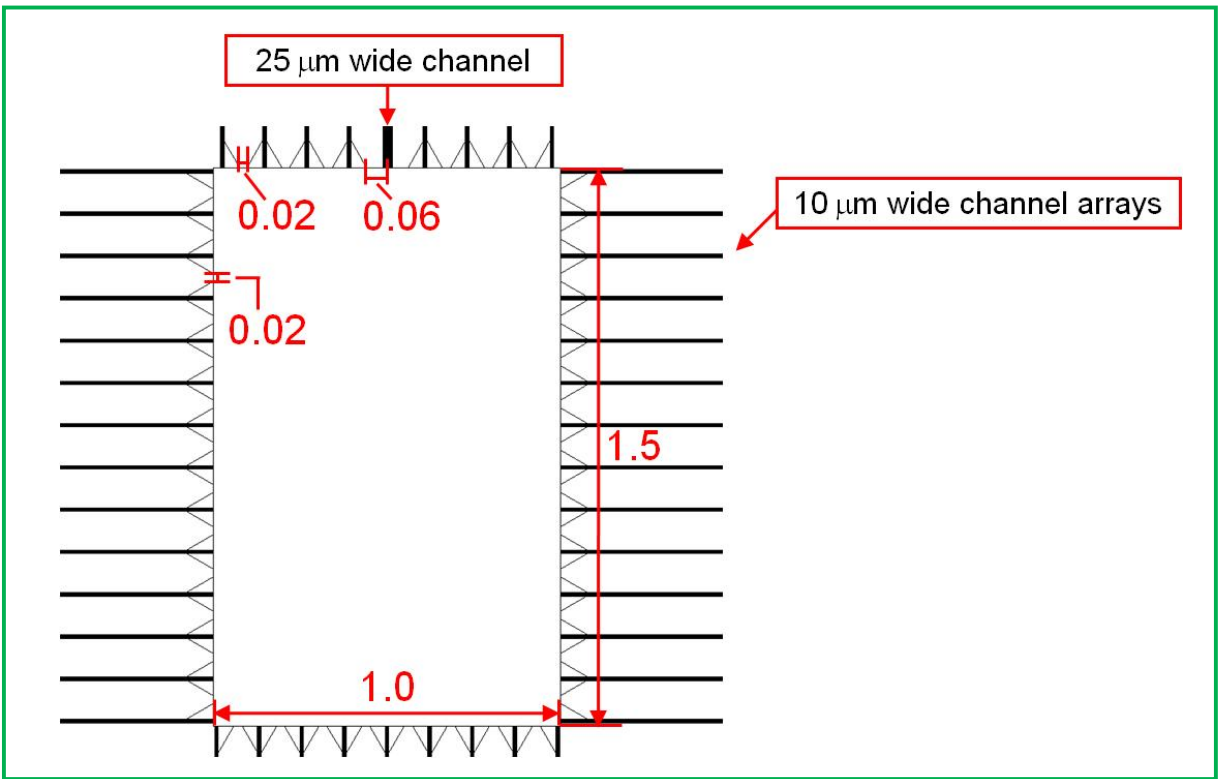
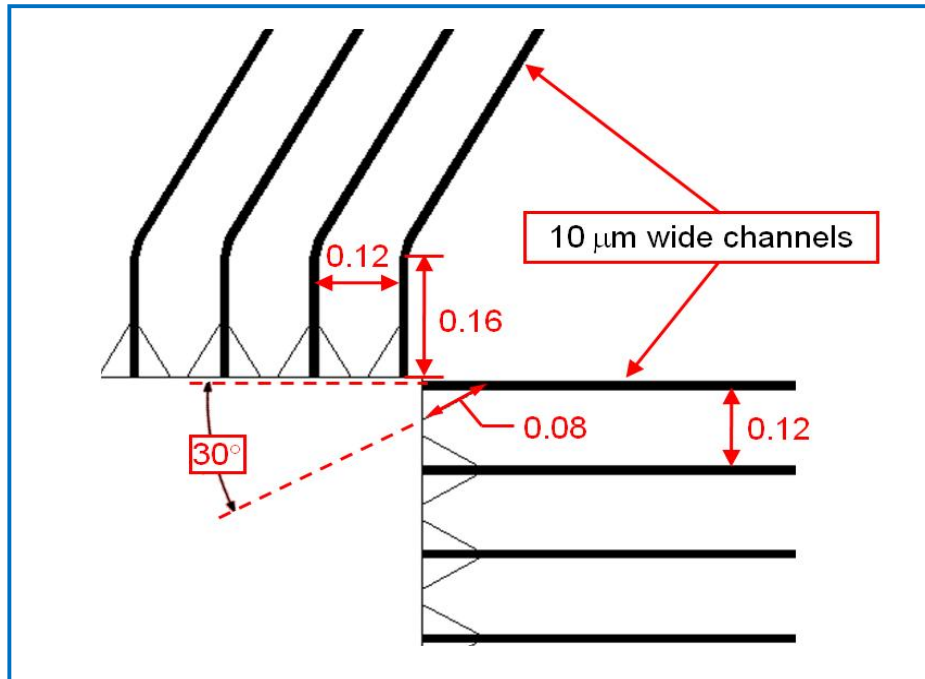


Supplementary Figure 1 – Microscale immunoblot chip layout and dimensions (unit: mm). Channel depth is 20 μ m. The closed squares and circles designate areas for etching. The regions within the green and blue boxes are depicted further in Supplementary Figure 2 and Supplementary Figure 3, respectively.



Supplementary Figure 2 – Green box detail from Supplementary Figure 1 (unit: mm). Channel depth is 20μm. The closed square and triangles designate areas for etching.



Supplementary Figure 3 – Blue box detail from Supplementary Figure 1 (unit: mm). Channel depth is 20μm. The closed square and triangles designate areas for etching.